

ATCOM Technology Inc.		
Title: ADSP-BF532 + JTAG +RESET		
Size: Custom	Document Number: BF532 IP08 Four Port IP-PBX	Rev: 1
Date: Monday, December 24, 2007	Sheet: 1 of 6	

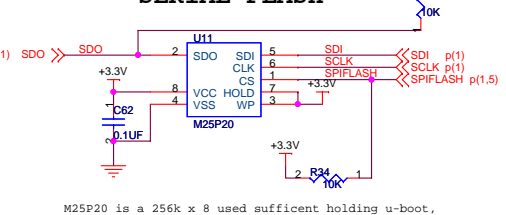
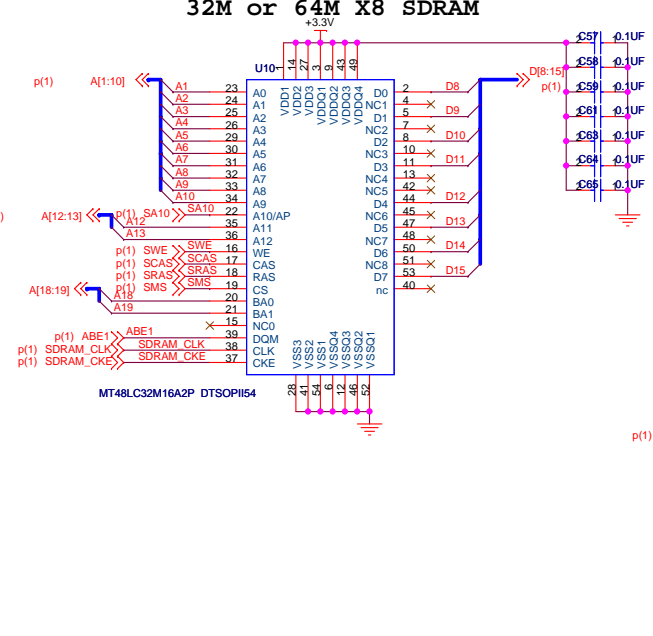
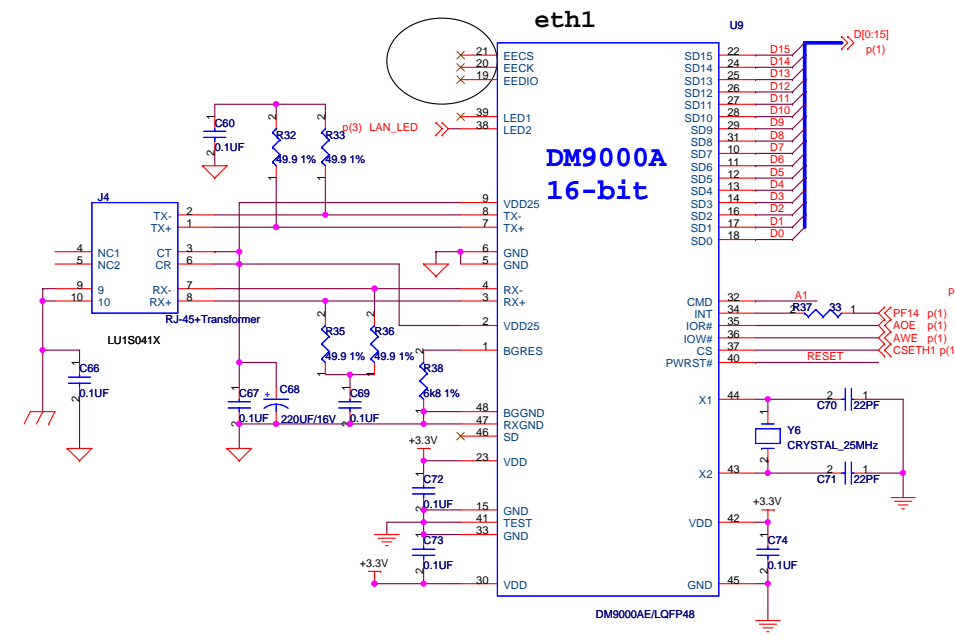
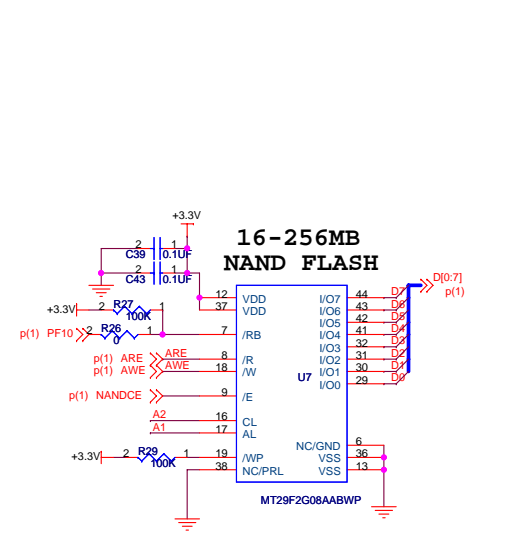
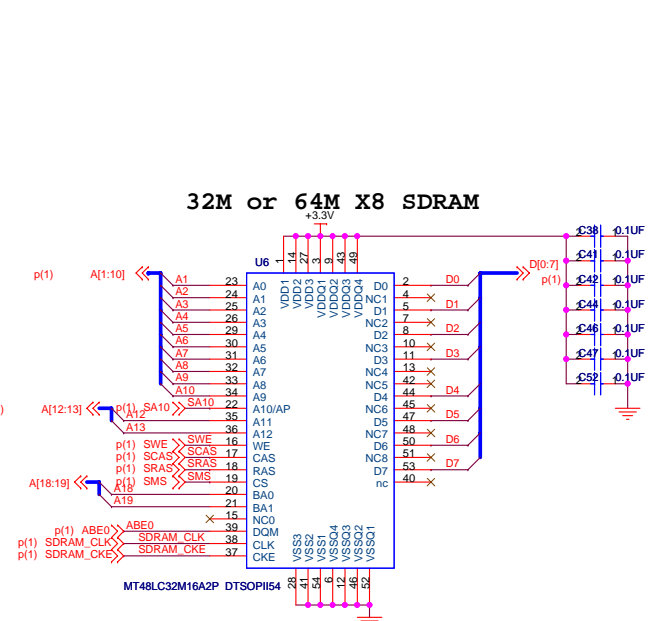
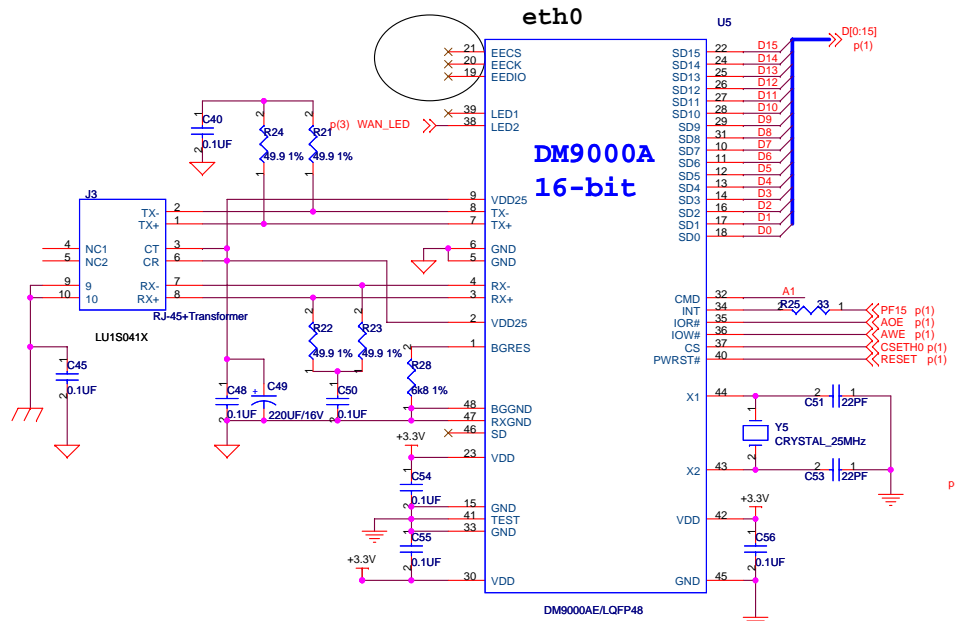
J1 J1 Description
 on on Executes from 16-bit external memory (Bypass Boot ROM)
 on off Boot from 8-bit or 16-bit FLASH
 off on Reserved
 off off Boot from SPI serial EEPROM

JTAG Connector now meets Engineer-to-Engineer Note EE-68 by adding 3.3V to pin 5.

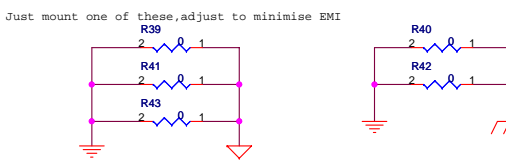
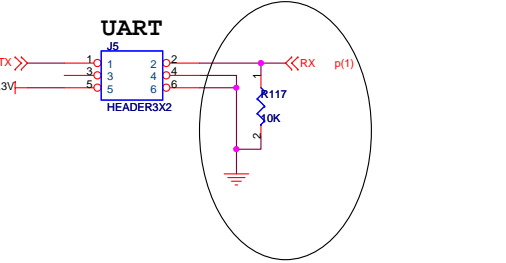
Multiplier of 48 (532MHz core, and SCLK divider of 4 - 133MHz SCLK)

Keep trace short!(尽量走短到CPU)

Pin 3 is key, and should be cut

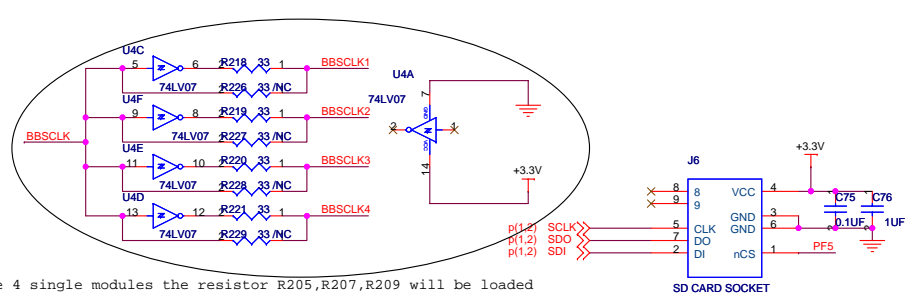
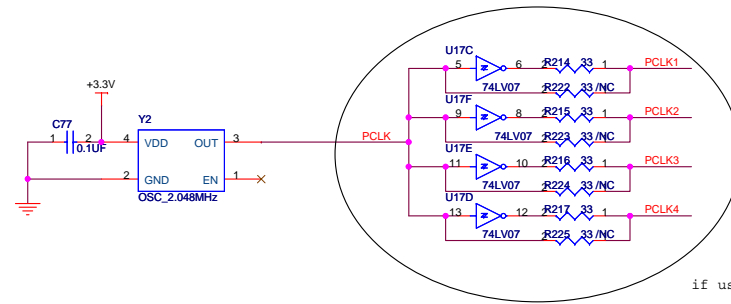
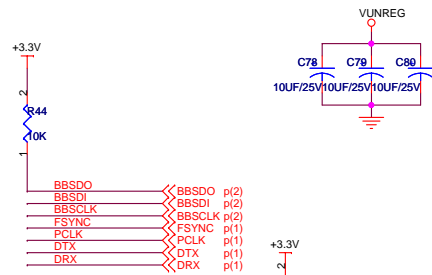


M25P20 is a 256k x 8 used sufficient holding u-boot, which then boots uclinux from NAND flash

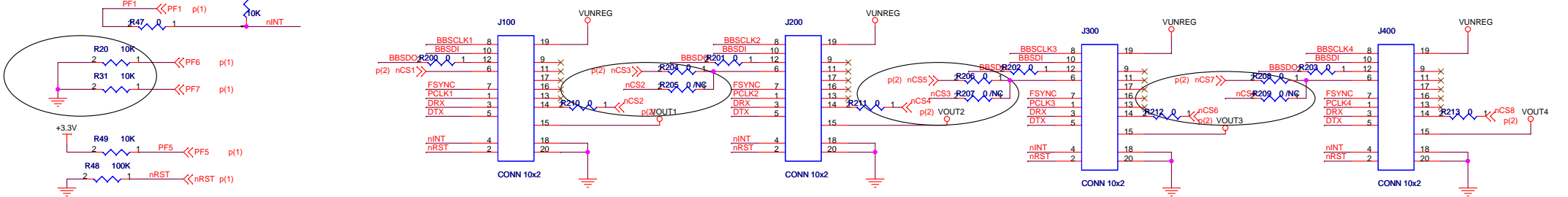


Just mount one of these, adjust to minimise EMI

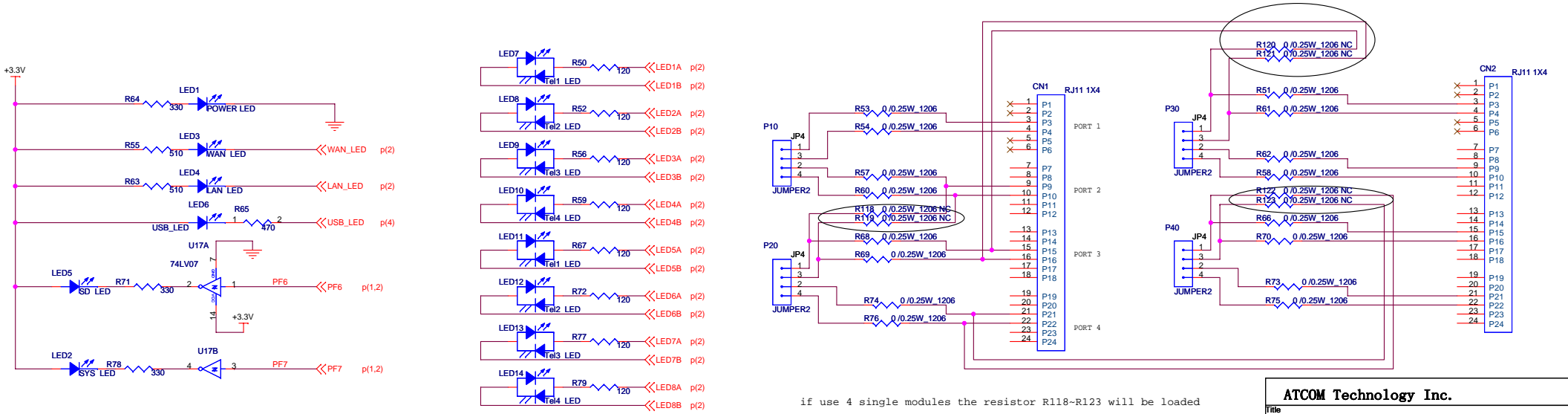
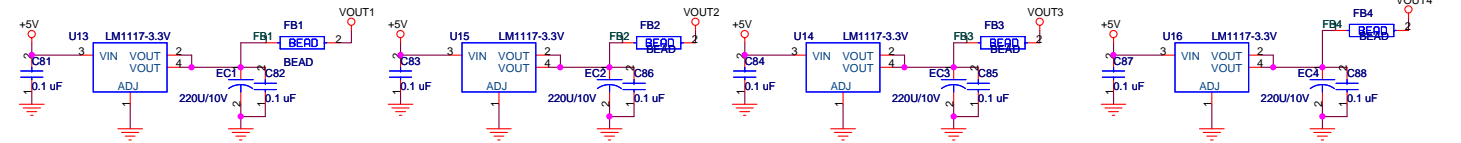
ATCOM Technology Inc.		
Title	FLASH + SDRAM + ETHERNET +UART	
Size	Document Number	Rev
Custom	BF532 IP08 Four Port IP-PBX	1
Date:	Thursday, December 20, 2007	Sheet 2 of 6



if use 4 single modules the resistor R205,R207,R209 will be loaded ,and unload R204,R210,R206,R211,R208,R212

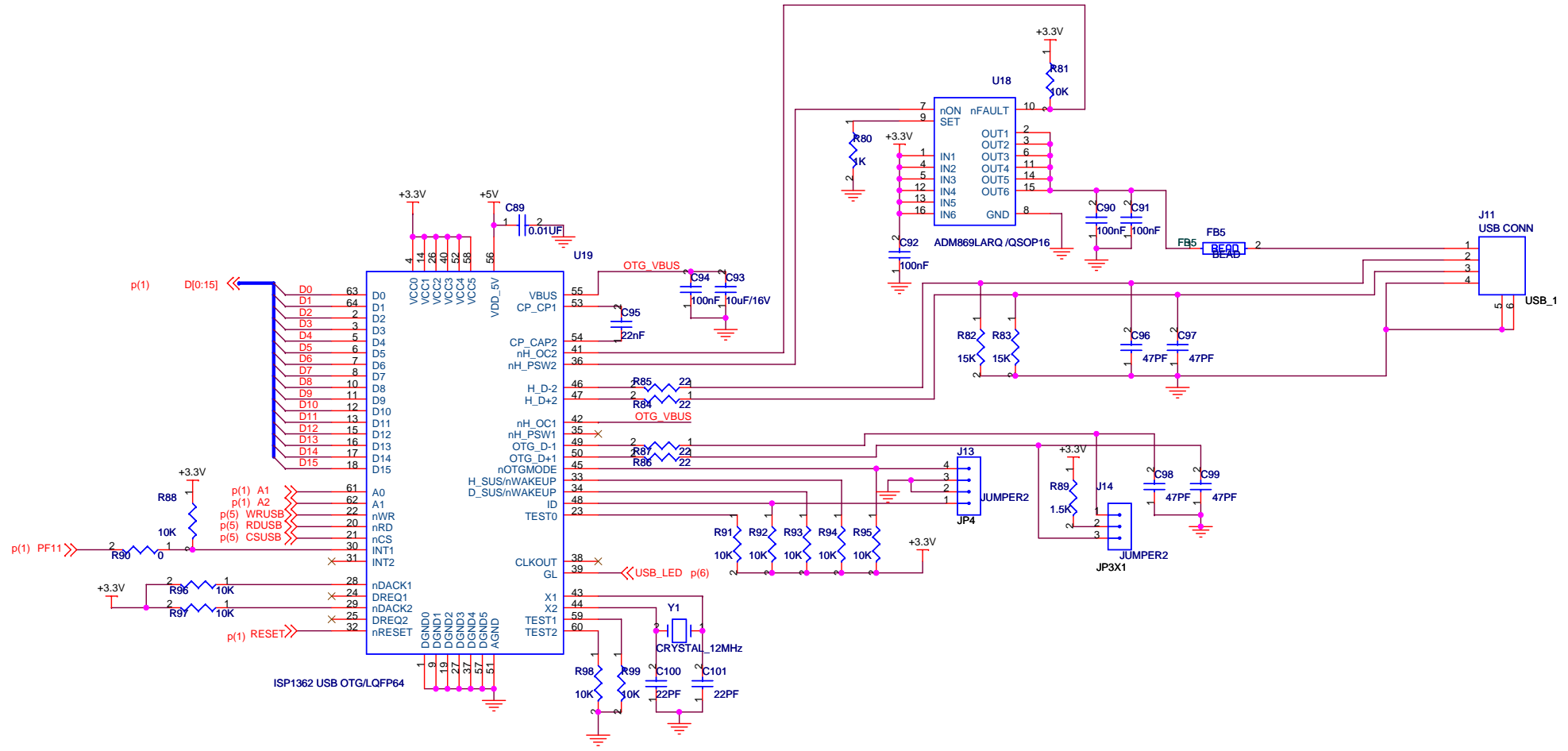


3.3V power supply for FXS/FXO module

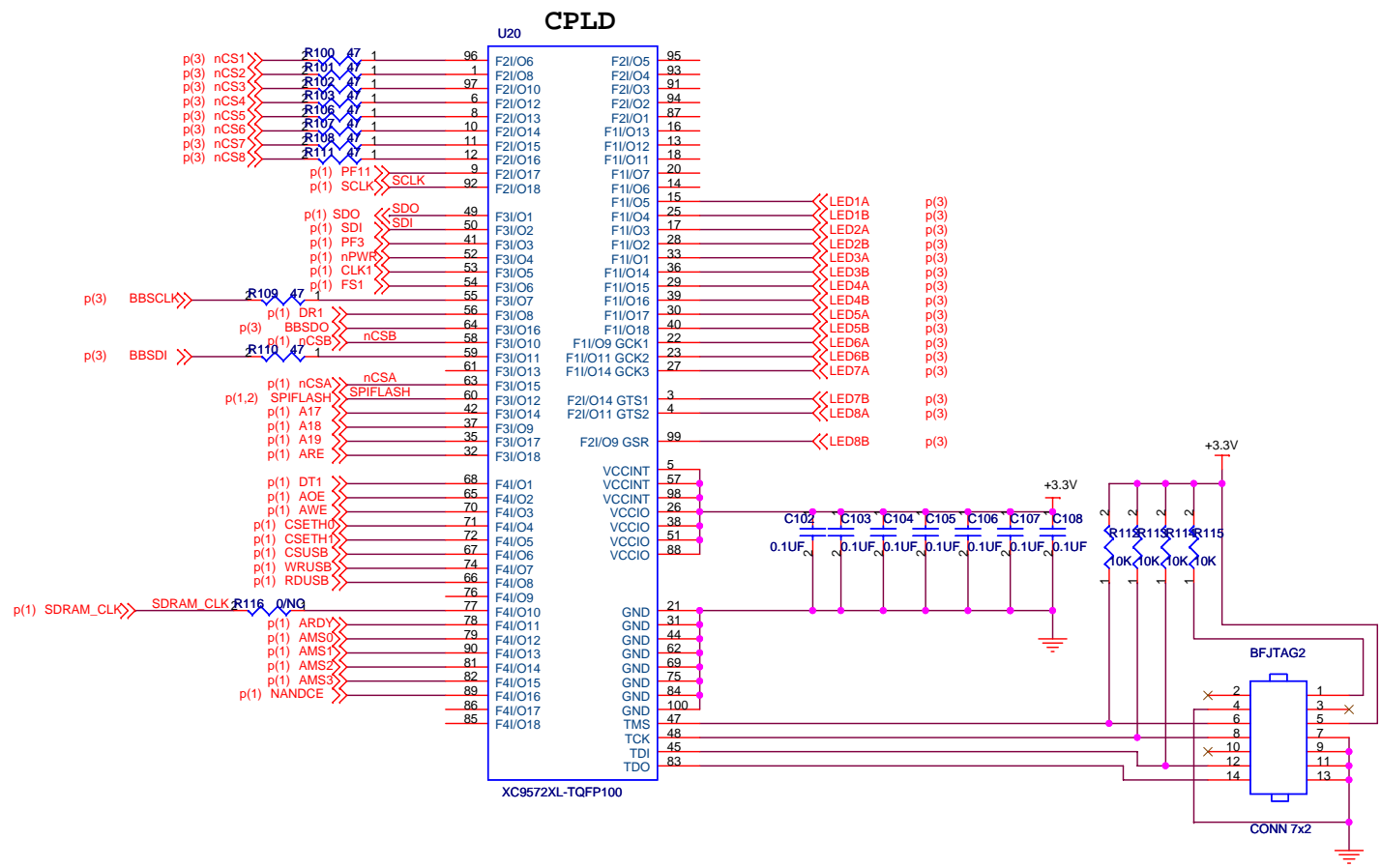
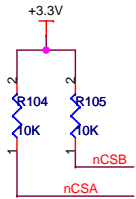


if use 4 single modules the resistor R118-R123 will be loaded ,and unload R57,R60,R68,R69,R74,R76,R51,R61,R62,R58,R66,R70,R73,R75

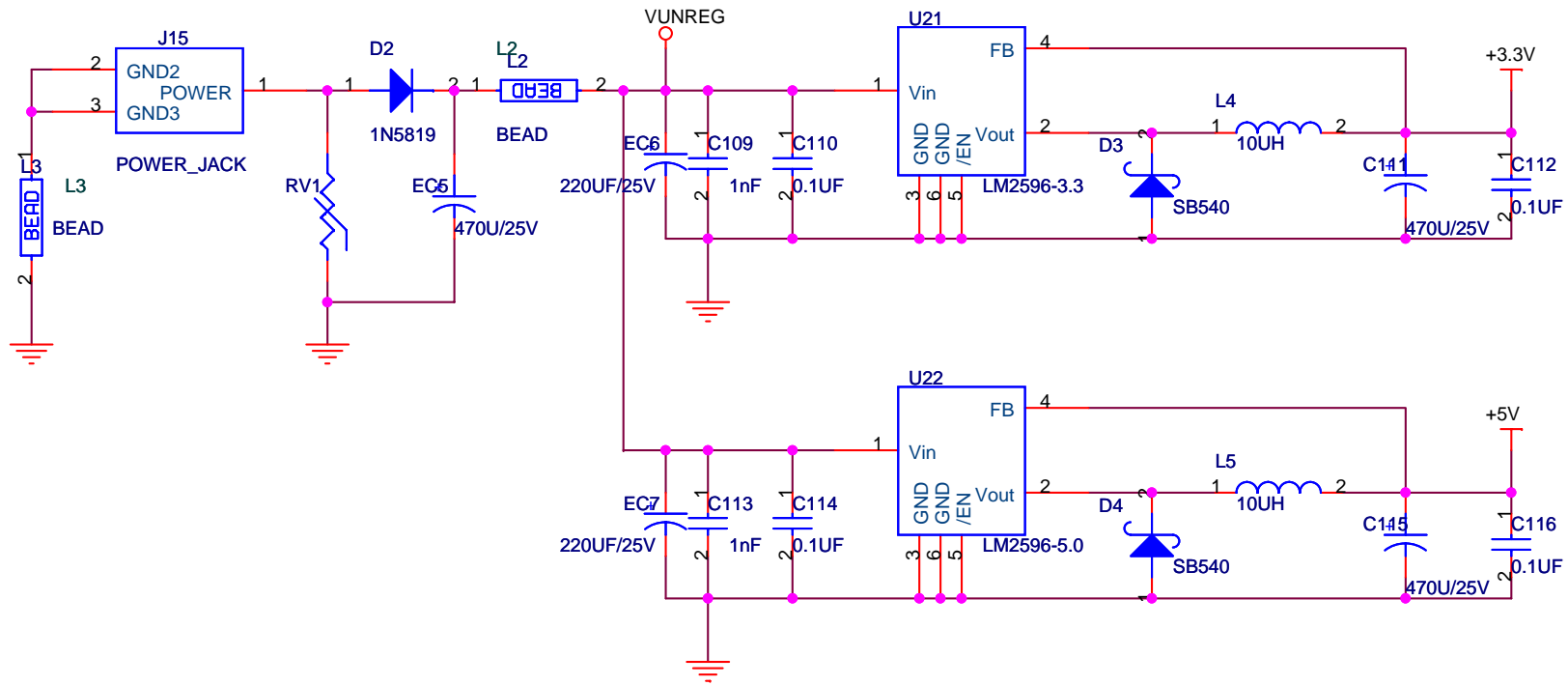
ATCOM Technology Inc.			
Title: POWER + 4FX + SD + LED			
Size: Custom	Document Number: BF532 IP04 Four Port IP-PBX	Rev: 1	
Date: Monday, December 24, 2007	Sheet: 3	of 6	



ATCOM Technology Inc.		
Title USB		
Size B	Document Number BF532 IP08 Four Port IP-PBX	Rev 1
Date:	Thursday, September 27, 2007	Sheet 4 of 6



ATCOM Technology Inc.		
Title CPLD		
Size B	Document Number BF532 IP08 Four Port IP-PBX	Rev 1
Date:	Friday, December 21, 2007	Sheet 5 of 6



ATCOM Technology Inc.		
Title POWER		
Size A	Document Number BF532 IP08 Four Port IP-PBX	Rev 1
Date:	Wednesday, September 26, 2007	Sheet 6 of 6