

<b>ATCOM Technology Inc.</b>		
Title ADSP-BF532 + JTAG +RESET		
Size Custom	Document Number BF532 IP04 Four Port IP-PBX	Rev 1
Date Friday, November 14, 2008	Sheet 1	of 6

J2 J1 Description  
 on on Executes from 16-bit external memory (Bypass Boot ROM)  
 on off Boot from 8-bit or 16-bit FLASH  
 off on Reserved  
 off off Boot from SPI serial EEPROM

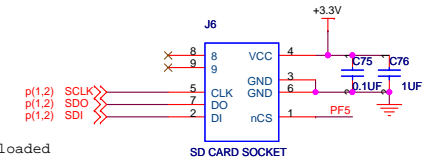
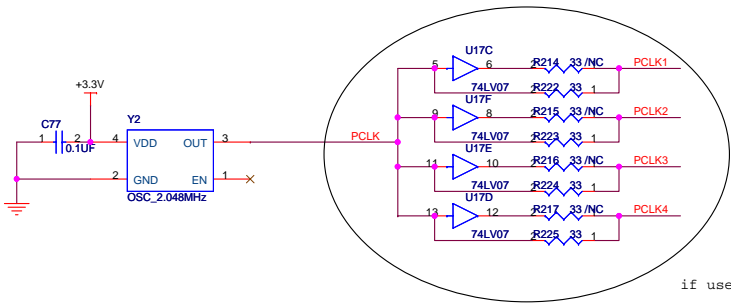
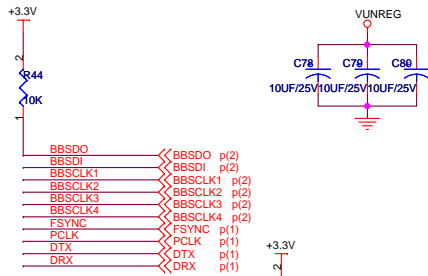
JTAG Connector now meets Engineer-to-Engineer Note EE-68 by adding 3.3V to pin 5.

Multipier of 48 (532MHz core, and SCLK divider of 4 - 133MHz SCLK)

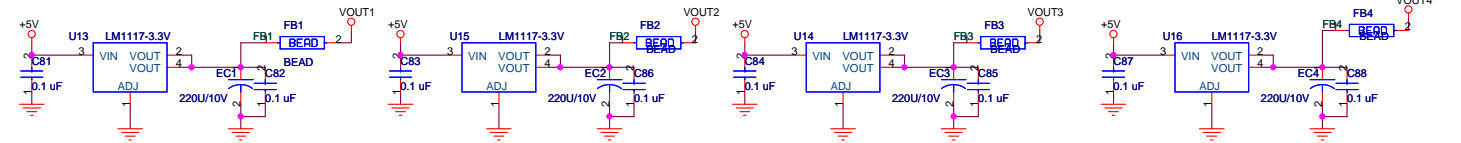
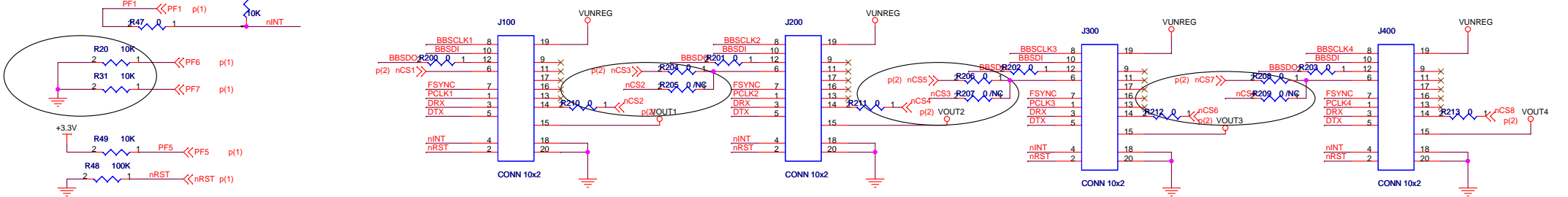
Keep trace short!(尽量走短到CPU)

Pin 3 is key, and should be cut

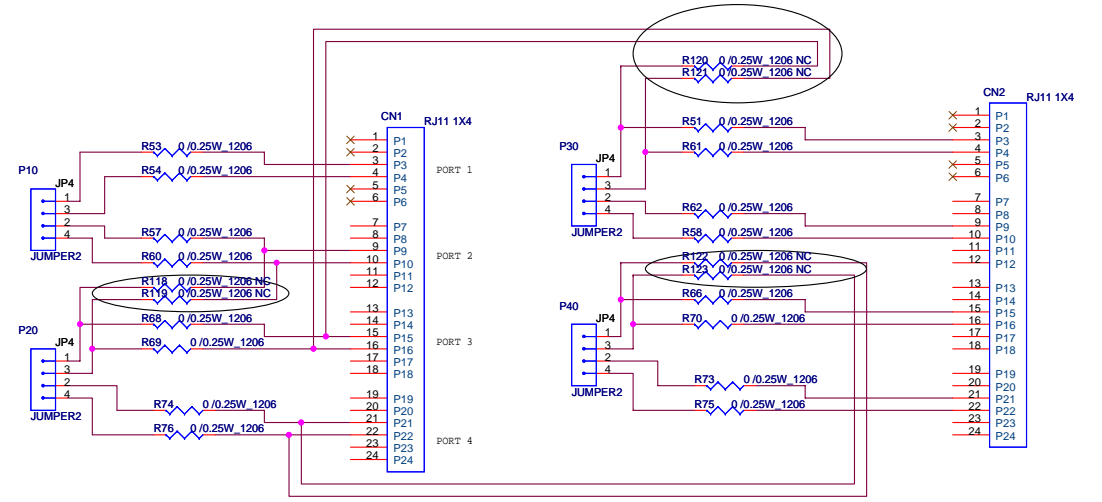
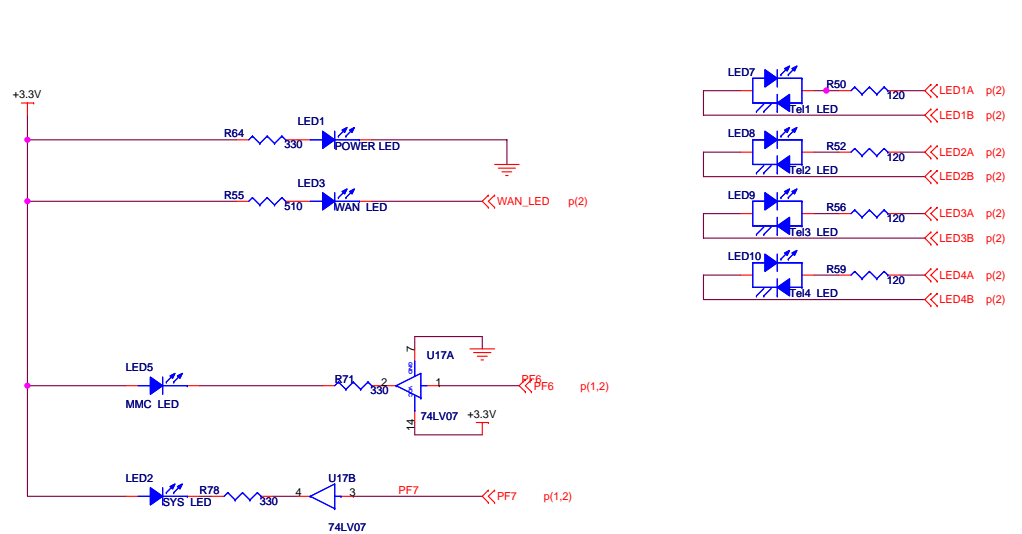




if use 4 single modules the resistor R205,R207,R209 will be loaded ,and unload R204,R210,R206,R211,R208,R212

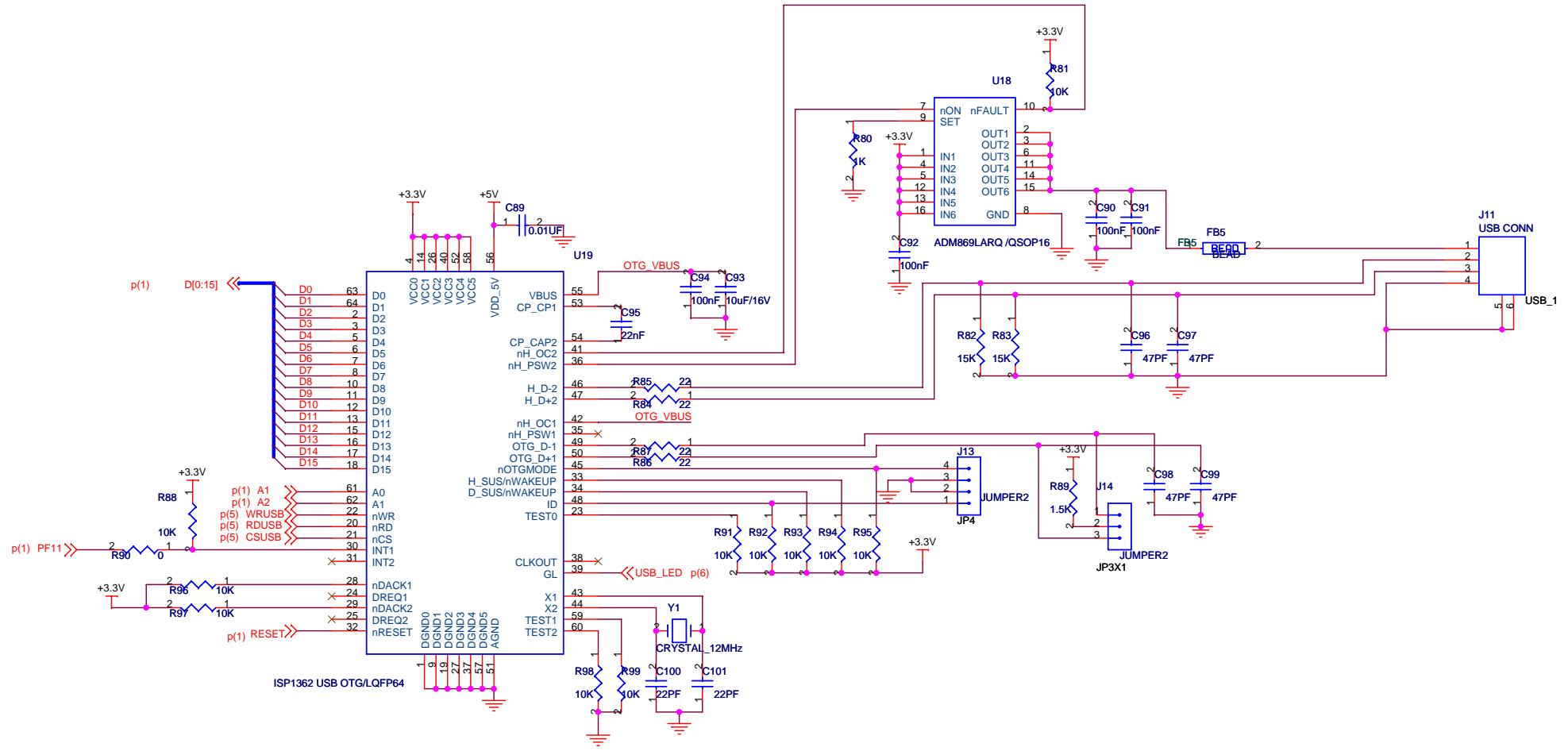


3.3V power supply for FXS/FXO module

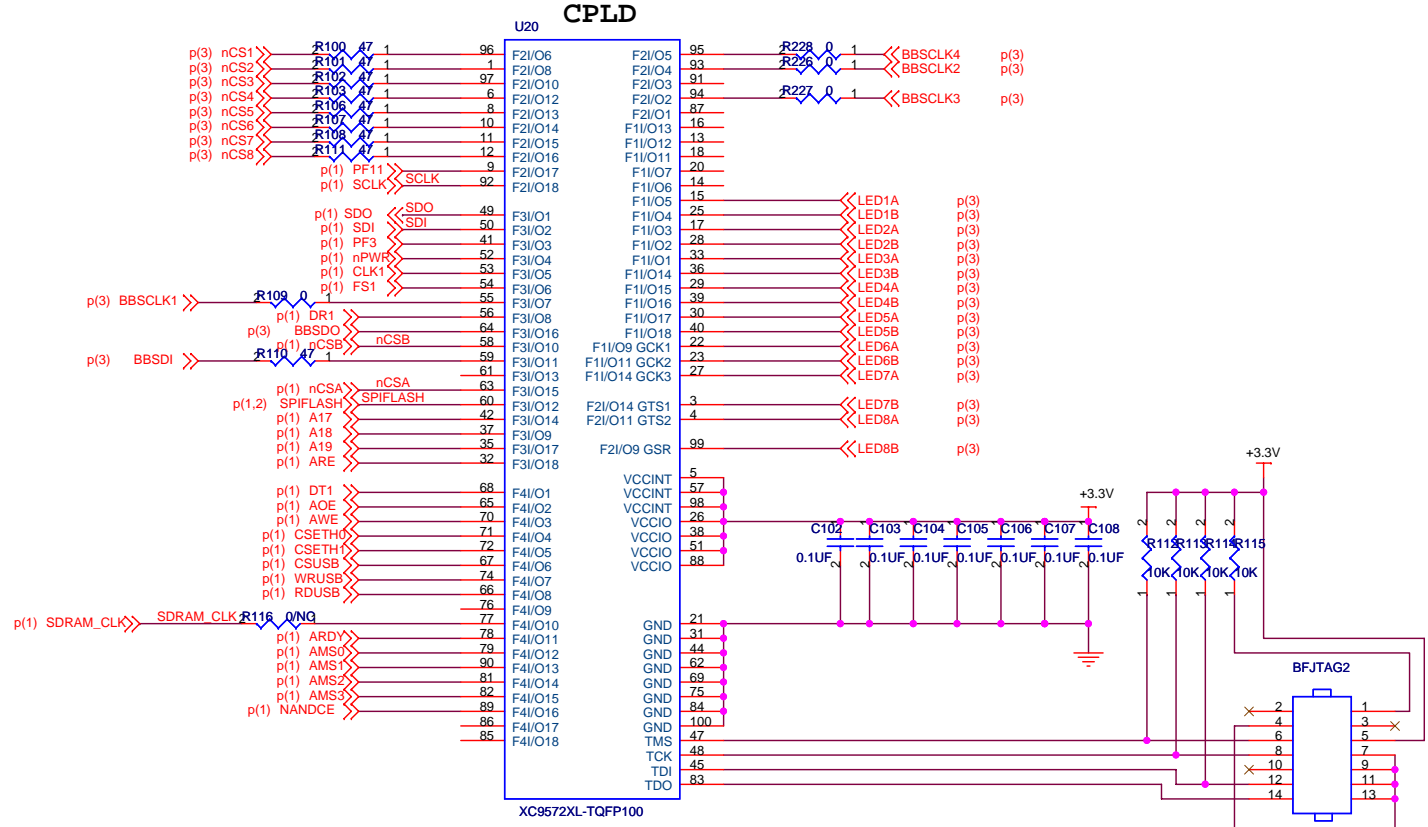
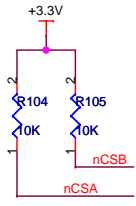


if use 4 single modules the resistor R118-R123 will be loaded ,and unload R57,R60,R68,R69,R74,R76,R51,R61,R62,R58,R66,R70,R73,R75

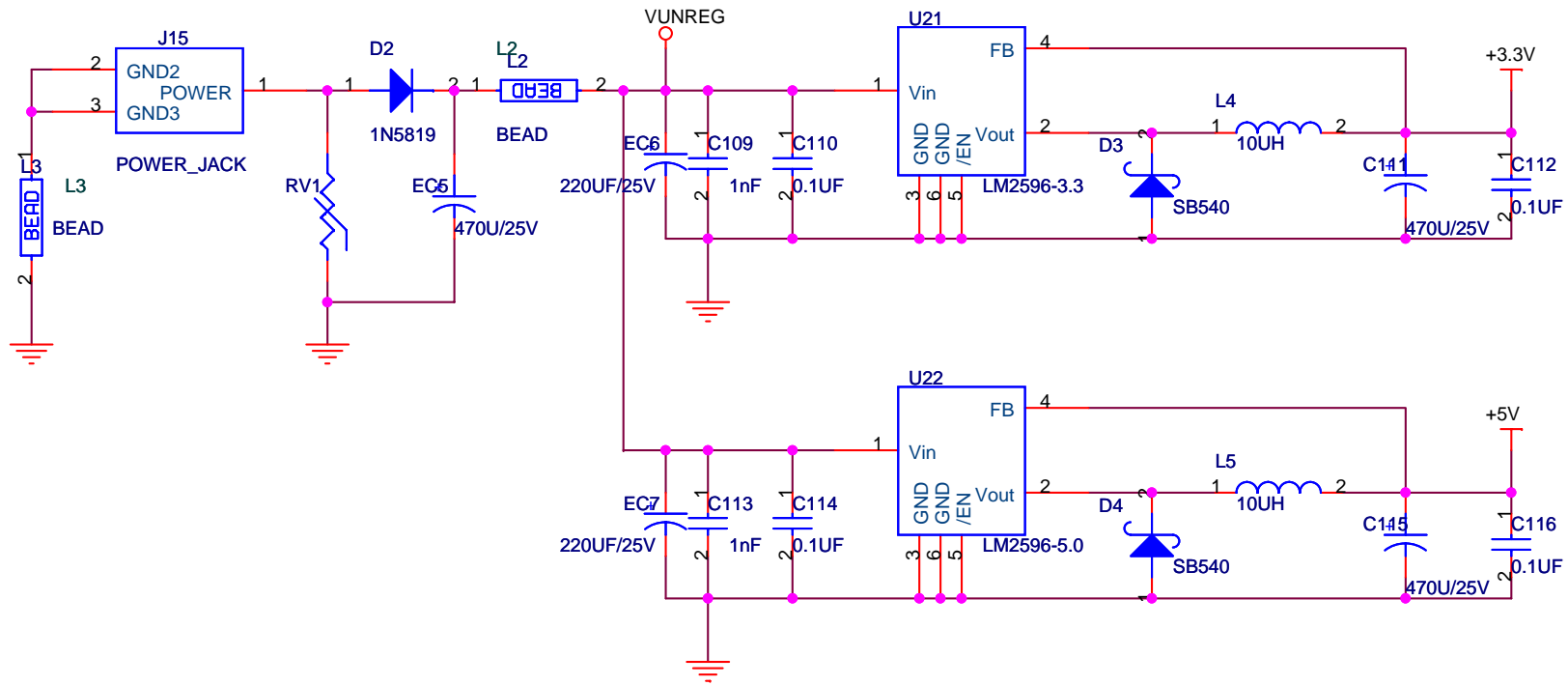
<b>ATCOM Technology Inc.</b>		
Title	<b>POWER + 4FX + SD + LED</b>	
Size	Document Number	Rev
Custom	BF532 IP04 Four Port IP-PBX	1
Date:	Friday, November 14, 2008	Sheet 3 of 6



<b>ATCOM Technology Inc.</b>		
Title <b>USB</b>		
Size B	Document Number BF532 IP04 Four Port IP-PBX	Rev 1
Date:	Friday, November 14, 2008	Sheet 4 of 6



<b>ATCOM Technology Inc.</b>		
Title CPLD		
Size B	Document Number BF532 IP04 Four Port IP-PBX	Rev 1
Date:	Friday, November 14, 2008	Sheet 5 of 6



ATCOM Technology Inc.		
Title POWER		
Size A	Document Number BF532 IP04 Four Port IP-PBX	Rev 1
Date:	Friday, November 14, 2008	Sheet 6 of 6